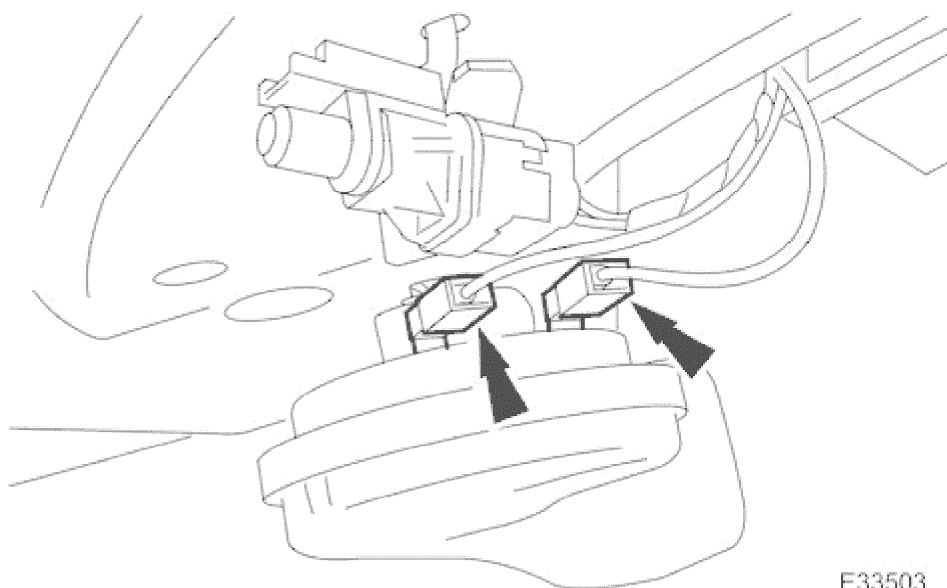


## Horn 86.30.02

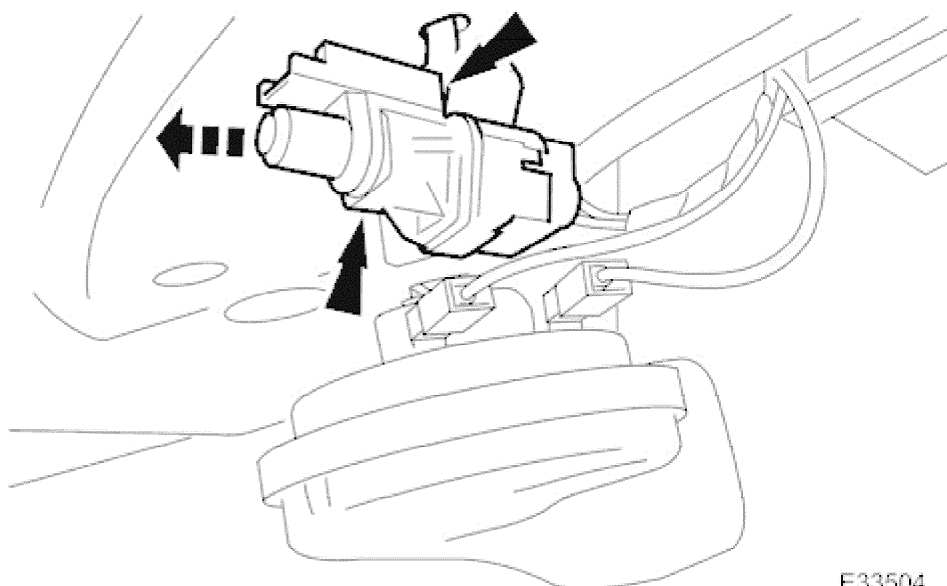
### Removal

1. Remove battery cover and disconnect ground cable from battery terminal. Refer to <<86.15.19>>.
2. Raise front of vehicle to working height and support on stands.



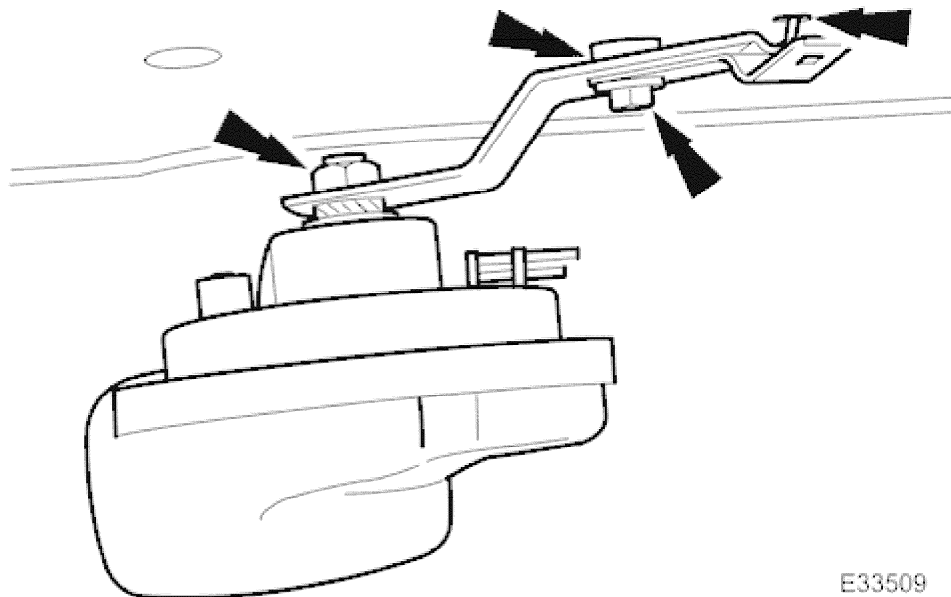
E33503

3. Disconnect harness spade connectors from horns.



E33504

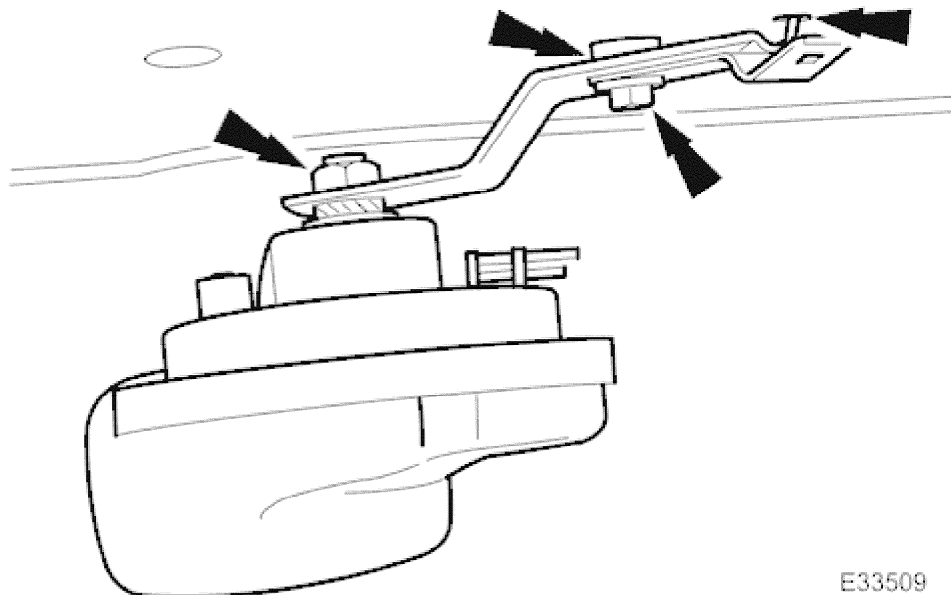
4. RH horn only. Release ambient air temperature sensor from horn mounting bracket tang .



5. Remove horns and mounting brackets.

- Remove horn mounting bracket securing bolt and remove horn and bracket from beam.
- Remove horn securing nut and remove horn and spacer from mounting bracket.

**Installation**



1. Install horn and mounting bracket.

- Position horn mounting bracket on bumper beam ensuring that bracket lug locates in hole.
- Install bracket securing bolt.
- Position horn on mounting bracket and install securing nut.

2. RH horn only. Install ambient temperature sensor on horn mounting bracket tang.

3. Connect harness spade connectors to horn.

4. Raise front of vehicle, remove stands and lower vehicle onto wheels.

## 2000 XK RANGE - Horn - 413-06

5. Connect ground cable to battery terminal and fit battery cover. Refer to <<86.15.15>>.